

Phone: 916.683.7111
Fax: 916.627.4400

www.elkgrovecity.org

PUBLIC WORKS
8401 Laguna Palms Way
Elk Grove, California 95758



Standards Update Transmittal

Reference Number: 2024-06
Standards: Standard Drawings, SD-10

Update:

1. Modification to Standard Drawing SD-10.1:
 - a. Added the City logo to manhole cover
 - b. Update frame and cover details
 - c. Rename Standard Drawing SD-10.1 to SD-10 and delete SD-10.2

Effect of Update:

1. This modification will include the City logo on all new storm manhole covers.

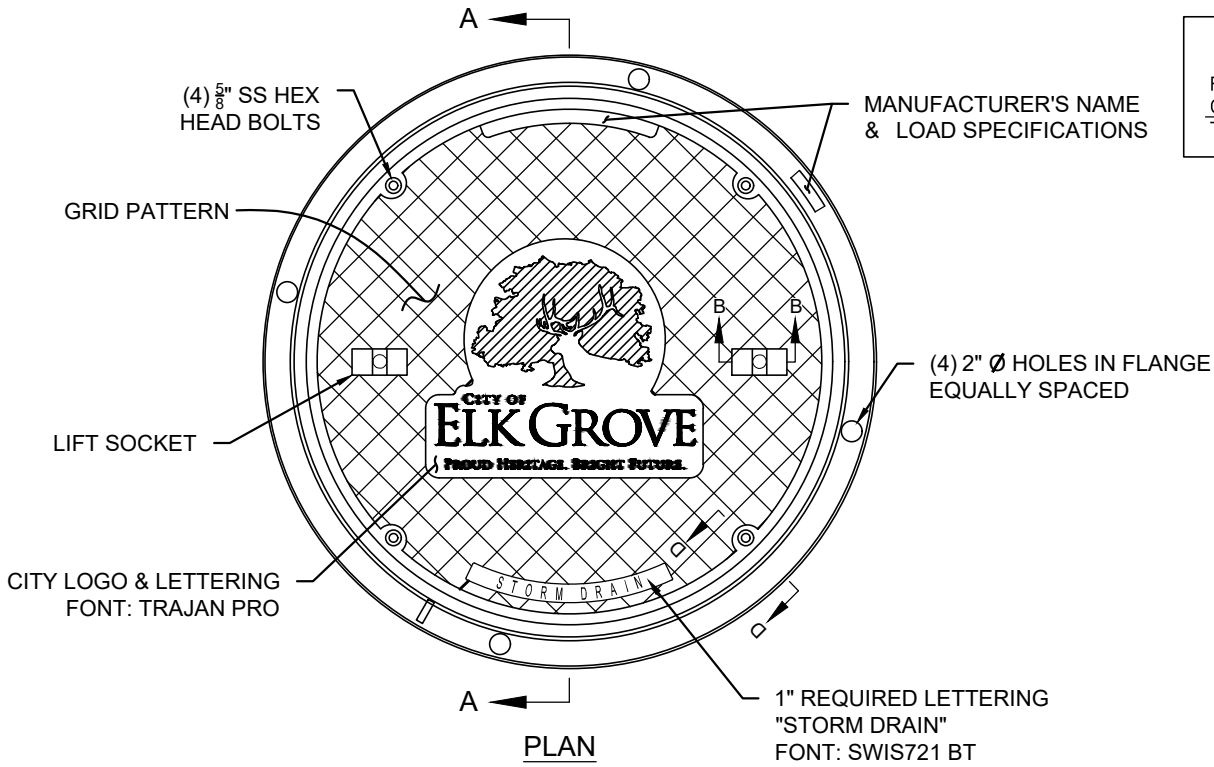
Request for Update Initiated By: John Pumphrey 08/11/23

Update Reviewed for Conformity and Consistency to Standards:

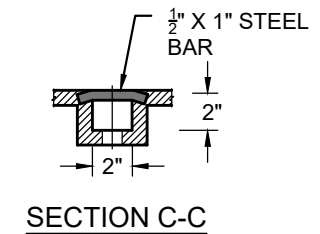
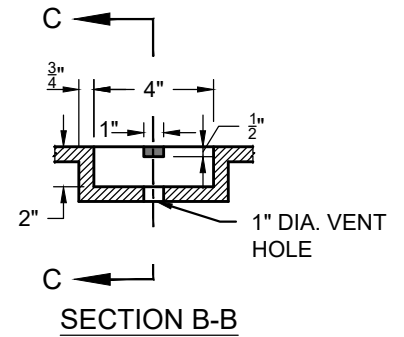
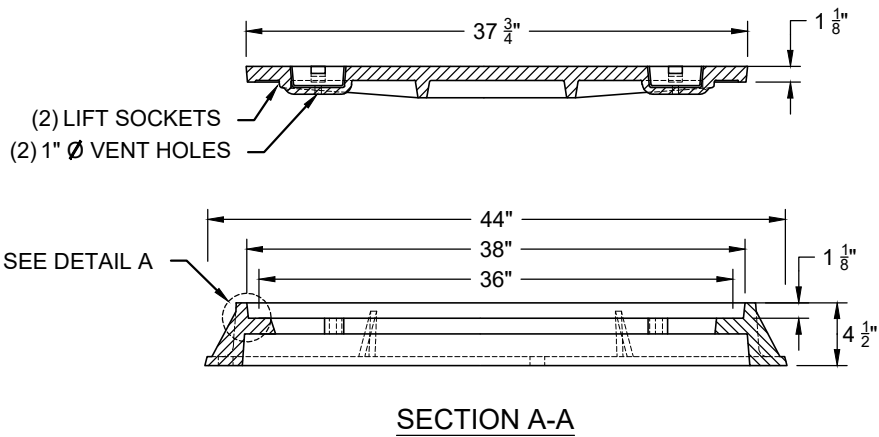
Shoab Ahrary 4/2/2024 | 3:53 PM PDT
Shoab Ahrary, PE, ESD Manager Date

Update to Standards Approved:

Jeffrey R. Werner 4/19/2024 | 11:58 AM PDT
Jeffrey R. Werner, PE, City Engineer Date

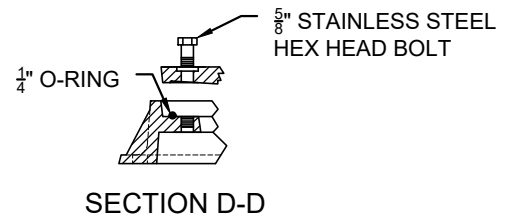


SET WEIGHT	
FRAME	334 LBS
COVER	197 LBS
TOTAL	531 LBS



NOTES:

1. ALL CASTINGS TO CONFORM TO ASTM A48, CLASS 35B.
2. FRAME AND COVER TO MEET H-20 LOAD SPECIFICATIONS.
3. MACHINED HORIZONTAL AND VERTICAL BEARING SURFACES NOT TO EXCEED 1/64" TOLERANCE.
4. FRAME AND COVER SHALL HAVE A COATING OF BLACK BITUMINOUS PAINT.
5. LOCKING COVER TYPE FRAME AND COVERS SHALL BE USED WHEN SPECIFIED IN CONTRACT DOCUMENTS.
6. H20 RATED SLOTTED GRATE OR GRATE TYPE MANHOLE COVER MAY BE SUBSTITUTE FOR COVER WHEN SPECIFIED IN CONTRACT DOCUMENTS OR UPON APPROVAL OF DIRECTOR.
7. COVER SHALL BE "STORM DRAIN" STAMPED.



DATE 3/27/2024		NOT TO SCALE	
REVISION	BY	APPROVED	DATE
01	STN	SA	3/27/24

CITY OF ELK GROVE - PUBLIC WORKS

**GREY CAST IRON
STANDARD 36" MANHOLE
FRAME & COVER**

APPROVED BY:
Jeffrey R. Werner 4/19/2024
CITY ENGINEER DATE

DRAWING NUMBER
SD - 10

